









GS Level - 4223

Quick Start Guide

Electrical Connections

Wire Size : 26AWG

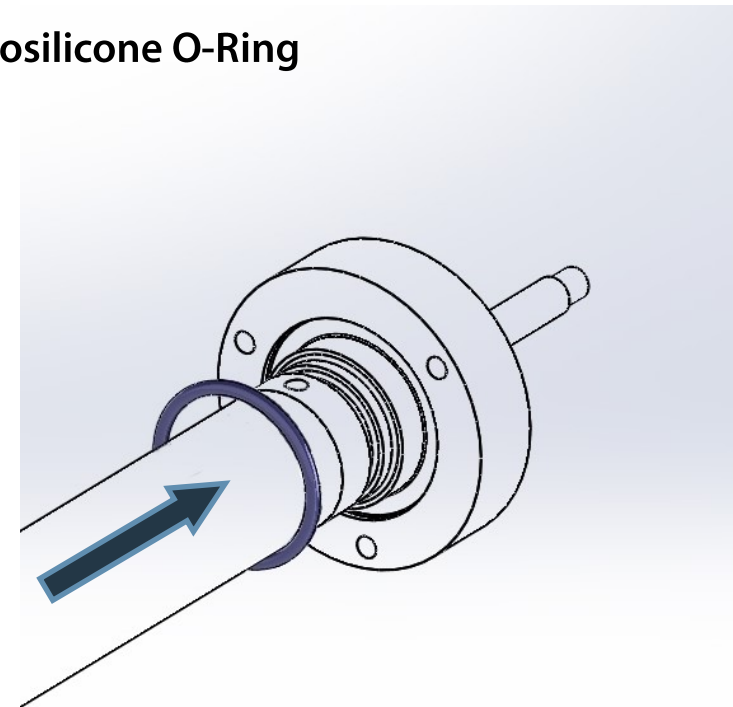
	RED	+V (5-32VDC)
	BLACK	-V (Ground)
	ORANGE	Primary output (0.25 to 4.75VDC)
	BLUE	Secondary output (refer to datasheet)
	GREEN	RS232 Rx line
	WHITE	RS232 Tx line

RS232 - USB Converter

Gill recommend FTDI part# USB-RS232-WE-1800-BT 5.0

Gill part# 1484-00-086, RS Components part# 687-7821

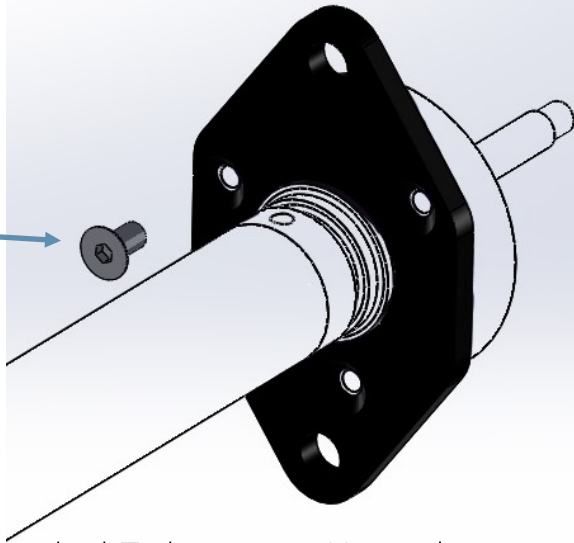
1) Fit 19x1.5 Fluorosilicone O-Ring



2) Fit the adaptor

NOTE: The adaptor has 3 possible orientations

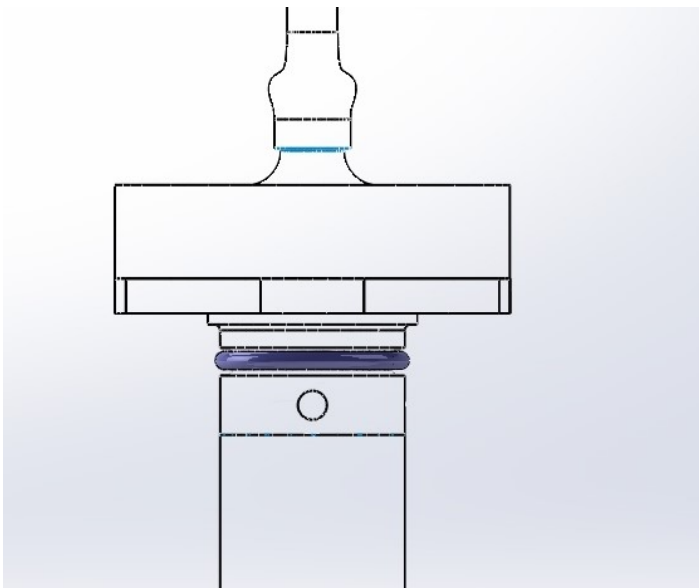
Secure the adaptor using M3x6 CSK screws. (3 places)



NOTE: Thread lock pre-applied. Tighten to 1.3Nm with 2.0mm Hex Key

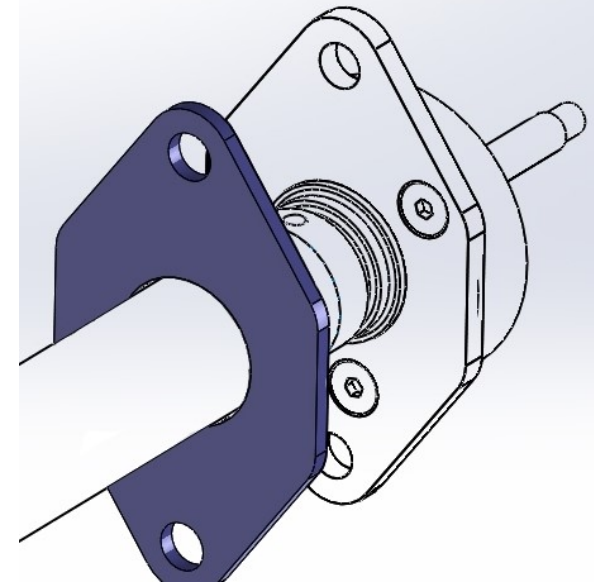
3b) Fit Radial (13x1.5mm) Fluorosilicone O-Ring

NOTE: Not required if using the face mounting gasket



3a) Fit panel Fluorosilicone gasket

NOTE: Not required if using the radial O-ring seal



4) SAE 5 Bolt - Orientation check

Place assembled sensor on the page and align the cable and the adaptor outer diameter.

NOTE:
All of the white holes should be visible through the adaptor when the orientation is correct.

