

Key Features

- Suitable for blackwater and greywater holding tanks
- Non-stick coating
- Continuous measurement
- Compensates for irregular shaped tanks
- No holes which can be blocked
- No moving components

The GSlevel Blackwater Liquid Level Sensor has been designed for all applications where consistently reliable and maintenance-free measurement of Black and Grey water is needed. Capacitive technology provides continuous measurement with no moving parts.

The sensor probe is not affected by the presence of solid waste. It has a non-stick coating and does not have any holes which can be blocked.

The GSlevel user software enables the sensor to be configured and monitored via a PC. This features tank profiling, which compensates for irregular shaped tanks. Multiple output options provide compatibility with the widest range of applications.



GENERAL SPECIFICATION

Primary Output Accuracy	+/-10% FSD @ 20°C
Thermal Drift	<10% FSD over full temperature range

ELECTRICAL

Supply Voltage	+6 to +32V DC
Over Voltage Protection	50V DC
Supply Current	<40mA
Reverse Polarity Protection	-32V DC
Resolution	12 bit (4096 points over measurement range)
Output Update Rate	100Hz (Resistive) 10Hz (0-10V & 4-20mA)
Configuration Interface	Accessible via local micro USB port
Primary (Volumetric) Output	Configurable through user software using tank profiling or file upload
Secondary (Switch) Output	Open collector output 50V / 0.5A max switch to ground (V-)
Secondary Output Hysteresis	Configurable through user software

VOLTAGE OUTPUT

Primary Output Standard Range	0.25 - 4.75V DC*
Primary Output Maximum Range	0.25 - 10V DC* Configurable through user software

* Supply voltage to be at least 0.5V greater than the required output voltage

CURRENT OUTPUT

Primary Output Standard Range	4-20mA Range is Datum A to Datum B (see Page 2)
Primary Output Maximum Range	4-20mA Configurable through user software

RESISTIVE OUTPUT

Primary Output Standard Range	10-180Ω or 240-33Ω selectable through user software Datum A to Datum B (see Page 2)
Primary Output Maximum Range	10-1000Ω or 1000-10Ω Configurable through user software

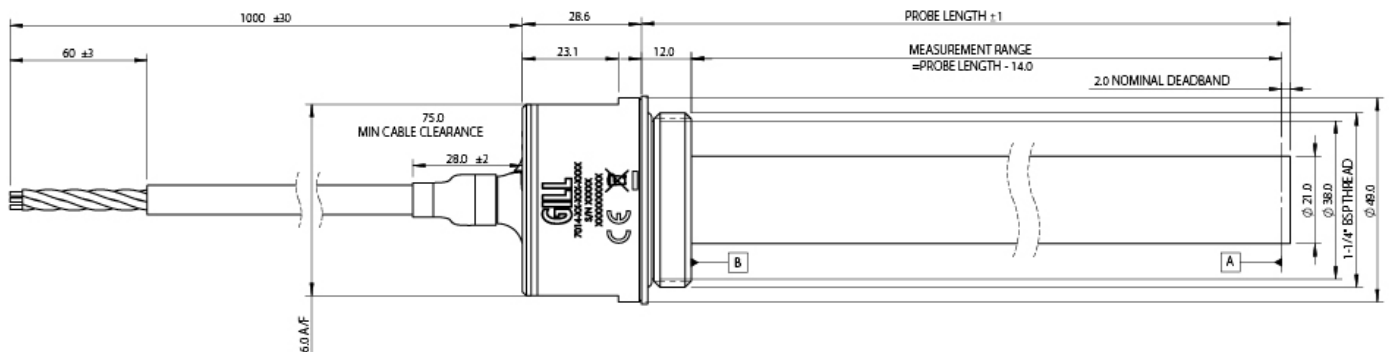
MECHANICAL

Wetted Materials	Stainless steel 316, FEP, EPDM
Probe Length	Range 1: 250, 350 or 450 mm Range 2: 600, 800 or 1000 mm
Probe Diameter	21mm
Mounting	1.25" BSP threaded
Tank Seal Options (supplied)	EPDM o-ring or Klingersil panel gasket
Cable	Marine standard screened cable (temperature rating -40°C to +75°C)
Cable Length	1000mm
Cable Pull	3 axis, 50N

ENVIRONMENTAL

Ingress Protection	IP66 / IP68 / IP69k to EN60529
Operating Temperature	-40°C to +85°C (without cable)
Humidity	93% RH at 40°C EN60945
EMC	EN60945 (Marine) EN61000-6-3 (Light Industrial) EN61000-6-2 (Heavy Industrial) EN61326-2-1 (Measurement Control)
Corrosion Resistance	Marine grade stainless steel 316 construction
Differential Pressure	10 Bar
Absolute Pressure	5 Bar
Compatible Media	Blackwater, Greywater, Saltwater, Fresh water
Venting	Use in vented tanks only

DIMENSIONS



ORDERING INFORMATION

Length Range:

1 = 250 - 450mm
2 = 600 - 1000mm

Output Type:

K = Voltage
L = Current
M = Resistive

Mounting Thread:

A = 1.25" BSP

Exact Length (mm):

7014 - 00 - -

GILL

Gill Sensors & Controls Limited

Unit 600 Ampress Park
Lymington, Hampshire
SO41 8LW

Tel: +44 (0) 1590 613 900
Fax: +44 (0) 1590 613 901
info@gillsc.com

gillsc.com

LD7014 - Iss 3

Copyright © Gill Sensors & Controls 2017

Specifications subject to change without notice.

Gill Sensors & Controls Limited, Reg No. 08982641
Registered Office: The George Business Centre, Christchurch Road, New Milton, BH25 6QJ