

Continuous, multi-function oil condition sensing

- 4 oil condition measurement parameters
- 4-20mA, 0-10v & CAN outputs
- Captures and retains ferrous debris
- Continuous real-time monitoring
- Easy installation
- Low cost of ownership



ANALOGUE OUTPUT

	Voltage	4-20mA
Channel 1 (fine)	0 – 10V DC (configurable)	1mA - 20mA (configurable)
Channel 2 (coarse)	0 – 10V DC (configurable)	1mA - 20mA (configurable)
Channel 3 (oil/temp)	0 – 10V DC (configurable)	1mA - 20mA (configurable)
Error indication	0 – 10V DC (configurable)	1mA - 20mA (configurable)
Optional output inhibit (during zero/span)	0 – 10V DC (configurable)	1mA - 20mA (configurable)

DIGITAL OUTPUT

J1939 data length	8 bytes
PGN	130816
Byte 0	Coarse measurement percentage, no scaling Value 255 – optional output inhibited during calibration
Byte 1	Fine measurement percentage, no scaling Value 255 – optional output inhibited during calibration
Byte 2	8 Status bits Bit 0 - High/low temperature exceeded Bit 1 - Oil upper threshold exceeded Bit 2 - Oil lower threshold exceeded Bit 3 - Fine measurement error Bit 4 - Coarse measurement error Bit 5 - Oil measurement error Bit 6 - Internal temperature sensor error Bit 7 - External temperature sensor error
Byte 3-7	Manufacturer use

ORDERING

4212 - PK -

Output:
048 = 4-20mA
049 = 0-10V
050 = CAN

USB cable = 1000-CO-116
USB software = 1000-SW-001

ELECTRICAL

	Voltage	4-20mA	CAN
Supply voltage	6 - 32V DC	9 - 32V DC	5 - 32V DC
Over voltage protection		>32V DC	
Power consumption	<0.7W	<2.6W	<0.7W
Reverse polarity protection		to -32V DC	
Analogue resolution		10 bit	
Report rate	10Hz	10Hz	1Hz
Sensor configuration		Accessible via USB	

MECHANICAL

Sensor size	57 x ø24.5mm
Enclosure	55 x 30 x 12mm
Enclosure mounting	2 off M4 socket cap screws (not supplied)
Materials (sensor)	Aluminium alloy, FEP, PEI
Materials (enclosure)	Aluminium alloy, st/steel, polyester

LIQUIDS

Fuels	Diesel, gasoline
Oils	Hydraulic, gear, mineral, vegetable, synthetic ester, semi-synthetic, polyalphaolefin, polyalkyleneglycol
Coolants	Ethylene glycol, Water
Other	Salt water

ENVIRONMENTAL

Sensor protection	IP66 / IP68 / IP69k
Enclosure protection	IP66 / IP68 / IP69k
Differential pressure	10 Bar
Sensor operating temperature	-40° to +150°C
Enclosure operating temperature	-40° to +125°C
Humidity	95% RH @ +55°C

> More information at gillsc.com

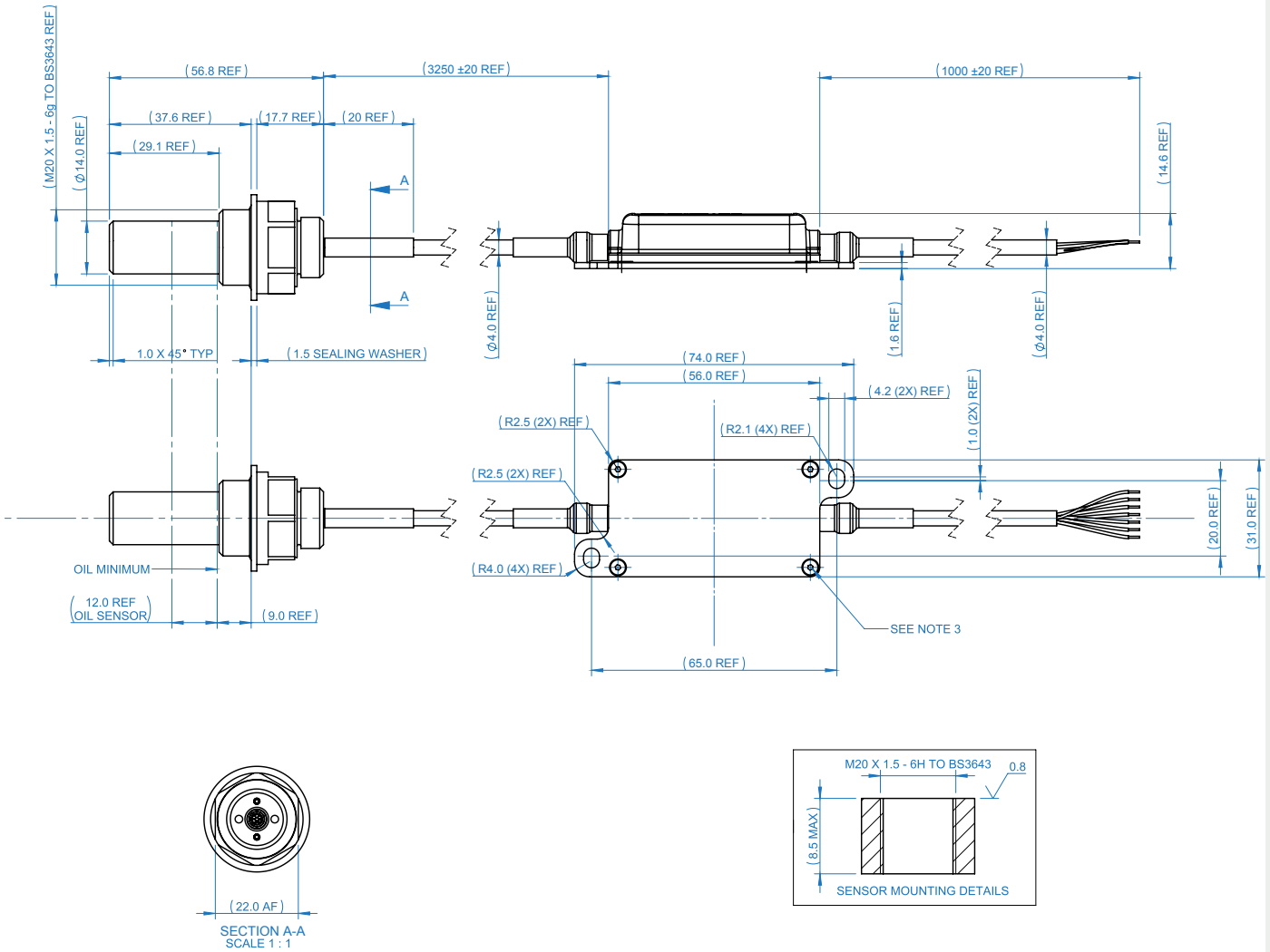
E support@gillsc.com

T +44 (0)1590 613900

GILL

Sensors & Controls

DIMENSIONS



WIRING DESIGNATION

4-20mA & 0-10V

White	Fine
Red	Power
Black	Power ground
Orange	Oil / temperature
Blue	(Not connected)
Green	Coarse
Spare (clear)	Screen

WIRING DESIGNATION

CAN

White	CAN H
Red	Power
Black	Ground
Orange	(Not connected)
Blue	CAN L
Green	(Not connected)
Spare (clear)	Screen