

Hello.

Here is a quick guide to getting your sensor up and running.

Do not attempt to cut the sensor to length or bend the sensor probe. Both actions will result in sensor failure and invalidate the warranty.








The User Manual can be accessed on our website at gillsc.com/support.

Contact details can be found at the end of this guide.

CONFIGURATION SOFTWARE

Download GSlevel from gillsc.com/support and install on a PC.

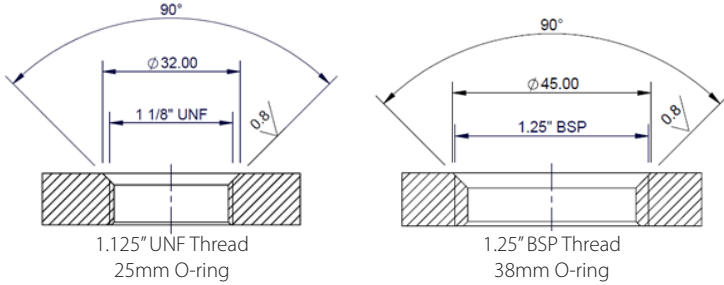
ELECTRICAL CONNECTIONS

			VOLTAGE	CURRENT
	Red	DC Power Supply	+5 to +32V DC	+9 to +32V DC
	Black	Ground		
	Orange	Primary Output	+0.25 to +4.75V	4 to 20 mA
	Yellow	Secondary Output	Switch	Switch
	White	Tx		
	Green	Rx		
	Silver	Drain wire		

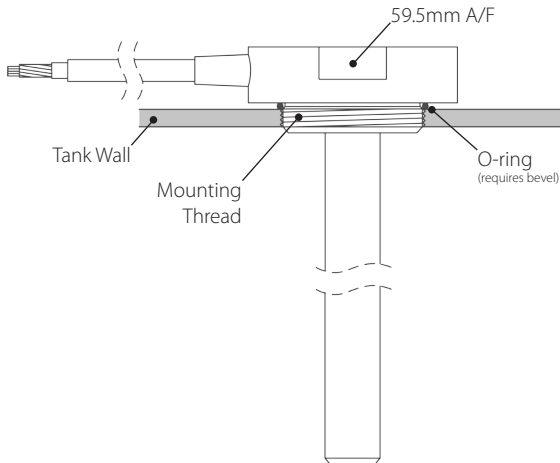
Connect the PC to the sensor and run GSlevel. An RS232 to USB adaptor is available to order from Gill (Part No. 1484-00-086).

O-RING FITTING INSTRUCTIONS

The recommended mounting hole sizes for the 1.125" UNF thread and 1.25" BSP thread are shown below.

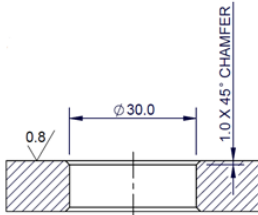


Fit the O-ring over the mounting thread so that it is sitting in the groove on the underside of the sensor flange. Tighten the sensor using a 59.5mm A/F spanner to a torque of 50 Nm.

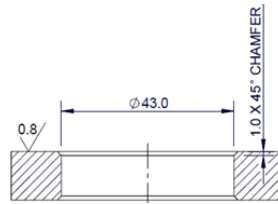


GASKET FITTING INSTRUCTIONS

The recommended mounting hole sizes for the 1.125" UNF thread and 1.25" BSP thread are shown below.

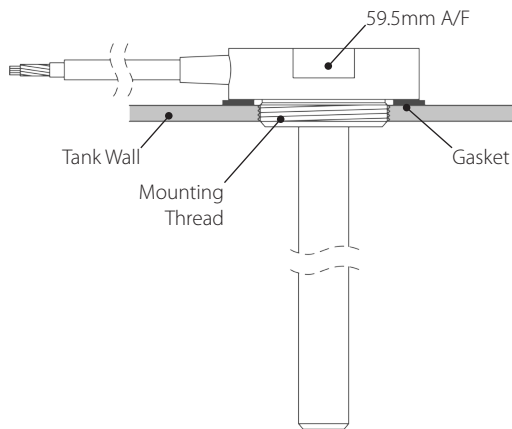


1.125" UNF Thread

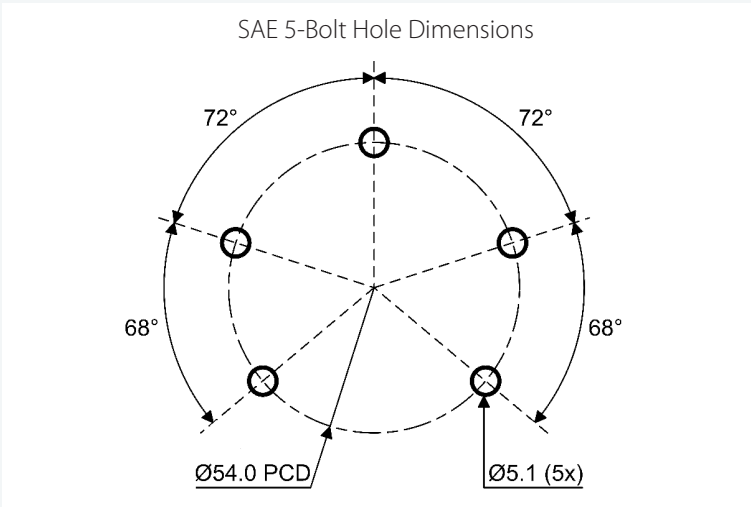


1.25" BSP Thread

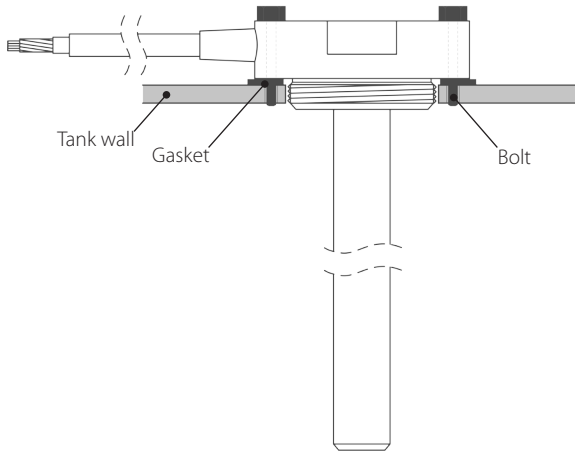
Fit the gasket on the cleaned mounting surface, with the black side facing upwards. Tighten the sensor using a 59.5mm A/F spanner to a torque of 50 Nm.



SAE 5-BOLT FITTING INSTRUCTIONS



The sensor should be fitted with a gasket if the SAE 5-bolt installation method is used. Place the gasket black side up on a cleaned mounting surface, position the sensor and fit and tighten the fixing bolts to a torque of 10Nm.



> More information at [gillsc.com](https://www.gillsc.com)

E support@gillsc.com

T +44 (0)1590 613900

E & OE

7010-30-083 Iss 1